



FLEETRITE® IGNITOR

SOLID-STATE ELECTRONIC BREAKERLESS IGNITION SYSTEM

Performance. Fast starts, every time. Operates within $\frac{1}{4}^{\circ}$ timing accuracy, at peak efficiency through entire RPM range. **Dependability.** Precision engineered to switch twice the energy of any other system. Includes 30 month factory warranty. **Protection.** Reduces battery drain, and is magnetically triggered to eliminate break-downs. Unaffected by dirt, dust, oil, moisture.

Economy. Improves fuel mileage, extends spark plug life, eliminates minor tuneups. **Convenience.** No "black boxes" to clutter engine compartment, no complicated wiring. Entire system fits in distributor; out of sight! **Easy installation.** One-piece installation in minutes. No holes to drill, no wires to cut, no extras to buy. Only two wires to connect.

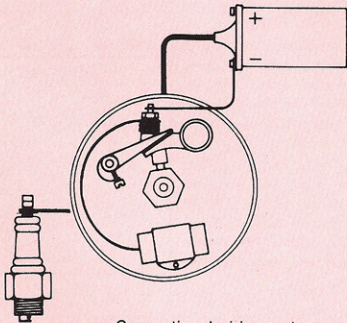
SPECIFICATIONS:

Operating Voltage: 6-V to 16-V DC

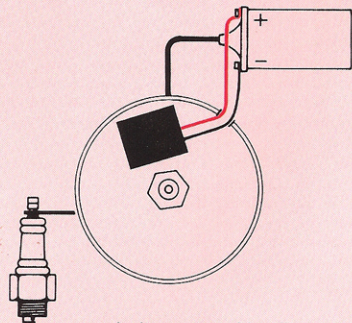
Temperature Range: -50° to 300° F.

RPM Range: Full operating range of engine down to Zero RPM. (There is no minimum starting RPM)

12-V Negative Ground Only.



Conventional wiring system.



Ignitor system wiring diagram.